

# DC Axial AGE Series

SIZE/尺寸：35X35X10mm

## General Specifications (一般規格)

Motor : DC Brushless motor

馬達：直流單向無刷馬達

Frame : plastic(94V-0)

材料：框：塑料 (94V-0)

Impeller : plastic(94V-0)

材料：葉：塑料 (94V-0)

Bearing : Ball bearing ;FMB

軸承：滾珠軸承;含油軸承

Weight : 11 g

重量：11克

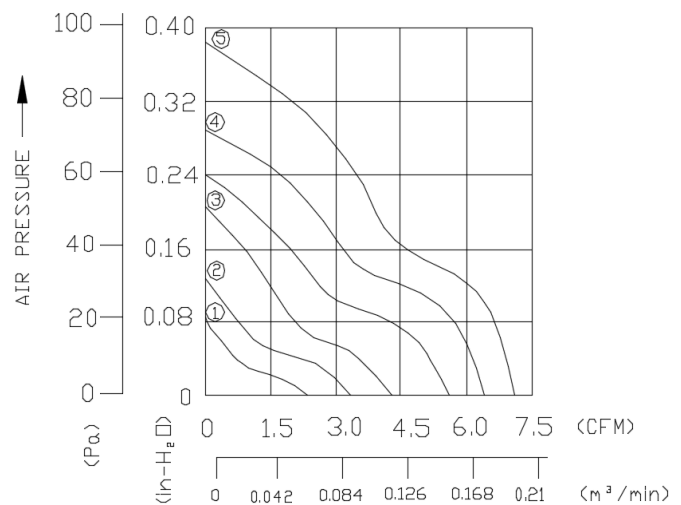
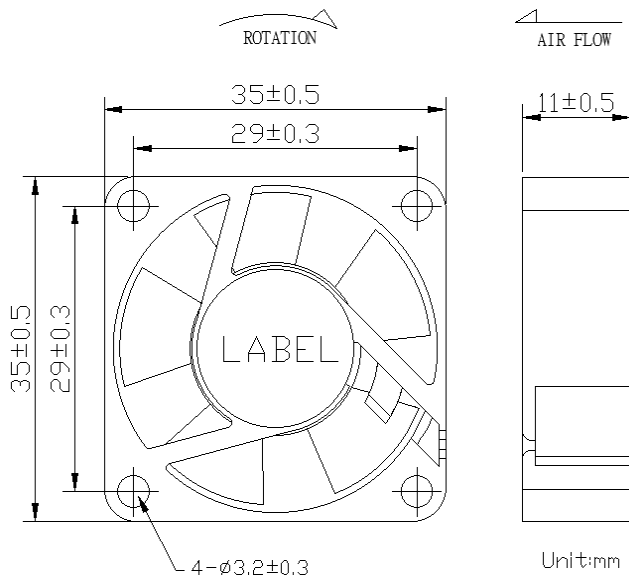


## Major Characteristic Parameters 主要參數

| Model<br>機型  | Bearing<br>軸承 | Voltage<br>電壓 | Operating Vol.<br>操作電壓 | Current<br>電流 | Speed<br>轉速 | Max Air Flow<br>最大風量 | Max Static Pressure<br>最大風壓 | Sound<br>噪音 |
|--------------|---------------|---------------|------------------------|---------------|-------------|----------------------|-----------------------------|-------------|
| Part NO.     | B / F / S     | V             | V                      | A             | RPM         | m3/min<br>CFM        | mm-H2O<br>In-H2O            | dBA         |
| AGE03510_05M | B/F           | 5             | 4.5~5.5                | 0.10          | 5000        | 0.06<br>2.10         | 2.29<br>0.09                | 18          |
| AGE03510_05H | B/F           | 5             | 4.5~5.5                | 0.12          | 6000        | 0.09<br>3.17         | 3.56<br>0.14                | 20          |
| AGE03510_05U | B/F           | 5             | 4.5~5.5                | 0.17          | 7000        | 0.12<br>4.37         | 5.34<br>0.21                | 23          |
| AGE03510_05V | B/F           | 5             | 4.5~5.5                | 0.19          | 8000        | 0.16<br>5.51         | 6.10<br>0.24                | 25          |
| AGE03510_05W | B/F           | 5             | 4.5~5.5                | 0.20          | 9000        | 0.18<br>6.30         | 7.72<br>0.30                | 28          |
| AGE03510_12U | B/F           | 12            | 7.0~13.2               | 0.08          | 7000        | 0.12<br>4.37         | 3.65<br>0.14                | 23          |
| AGE03510_12V | B/F           | 12            | 7.0~13.2               | 0.09          | 8000        | 0.16<br>5.51         | 6.10<br>0.24                | 25          |
| AGE03510_12W | B/F           | 12            | 7.0~13.2               | 0.12          | 9000        | 0.18<br>6.30         | 7.72<br>0.30                | 28          |
| AGE03510_12F | B/F           | 12            | 7.0~13.2               | 0.13          | 10000       | 0.20<br>7.00         | 9.53<br>0.38                | 31          |

## Drawing & panel out-cuts 圖面及出入風口

## Characteristic Curves 特性曲線



Specification is subject to change for improvement without notice/ 基於改良的規格變更，不另行通知

<http://www.crownelectronics.ltd>

**CROWN**  
ELECTRONIC.CO.LTD