

AC Cross Flow Fan CRPB40 Series



General Specifications (一般規格)

Motor : AC single/three phase Brushless

馬達：直流單向/三相無刷馬達

Frame: Steel / Impeller : Al alloy

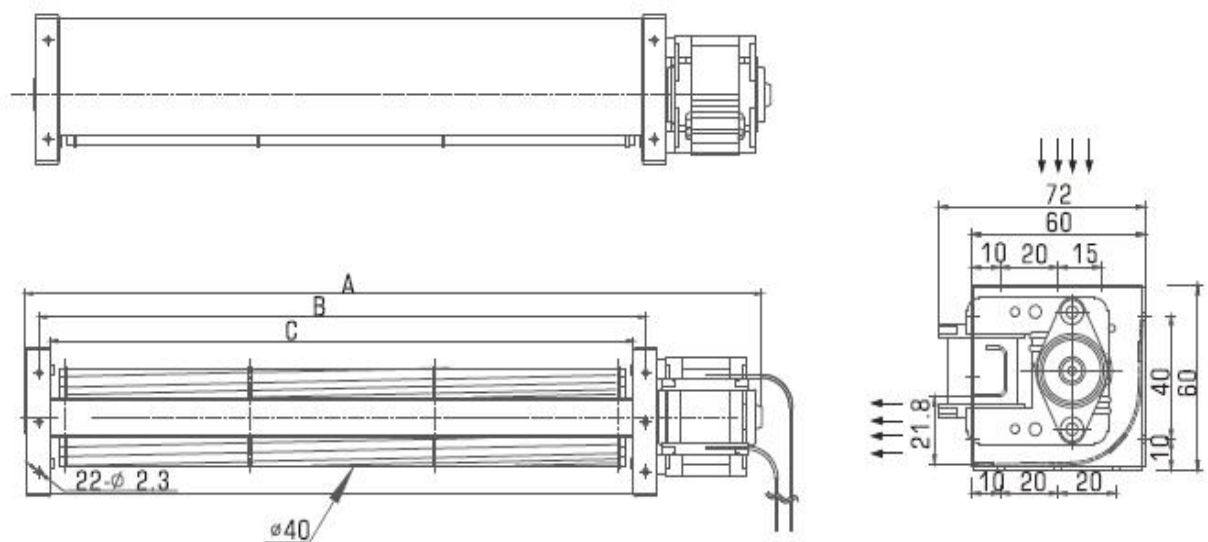
材料：框：鋼鐵 / 材料：叶：鋁合金



Major Characteristic Parameters 主要參數

Model 機型	Size			Voltage 電壓/頻 率	Power 功率	Speed 轉速	Max Air Flow		Max Static Pressure		Sound 噪音
	A	B	C				m3/h	CFM	mm-H2O	Pa	
Part NO.	mm			V / Hz	W	RPM					dBA
CRPB40090AC	158	108	98	120/60	16.2	3200	40	23.20	2.55	25.0	35
				230/50	13.9	2700	36	20.88	2.04	20.0	35
CRPB40150AC	222	170	160	120/60	16.8	3000	62	35.96	2.45	24.0	36
				230/50	14.6	2500	57	33.06	1.94	19.0	36
CRPB40190AC	258	208	198	120/60	17.2	2900	77	44.66	2.45	24.0	38
				230/50	14.5	2400	68	39.44	1.94	19.0	36
CRPB40250AC	315	260	250	120/60	21.9	3000	98	56.84	2.45	24.0	38
				230/50	18.5	2500	90	52.20	1.94	19.0	37
CRPB40290AC	365	310	300	120/60	22.6	2800	113	65.54	2.35	23.0	39
				230/50	18.1	2400	106	61.48	1.94	19.0	38
CRPB40350AC	418	358	348	120/60	20.5	2900	152	88.16	2.45	24.0	39
				230/50	19.6	2500	132	76.56	1.94	19.0	37
CRPB40420AC	490	430	420	120/60	21.6	2700	170	98.60	2.24	22.0	38
				230/50	20.0	2500	163	94.54	1.94	19.0	37

Drawing & panel out-cuts 圖面及出入風口



Specification is subject to change for improvement without notice/
<http://www.crownelectronic.com.cn>

基於改良的規格變更，不另行通知

